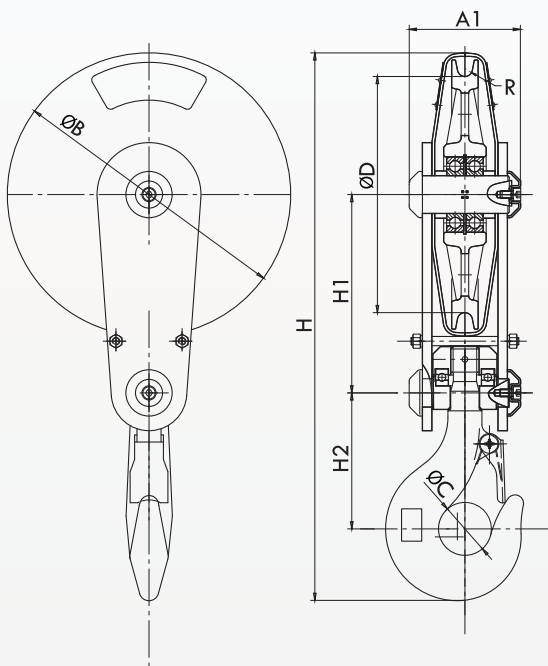


HOOK ASSEMBLIES

MAIN FEATURES

- Modular design ensures no rubbing of wire ropes with pulley guards
- Uses high quality iron/nylon pulleys
- Excellent aesthetics
- Uses sealed bearings for pulleys
- Hook confirms IS3815 design

2 FALLS HOOK ASSEMBLIES



Model	SWL (ton)	Falls	Wire Rope Dia	Pulley Dia	Dimensions (mm)						
					A1	B	C	R	H	H1	H2
OHA2001	1	2	d	D	97	180	43	3.7	377	138	98
OHA2002	2	2	10	210	101	250	50	5.5	460	177	117
OHA2003	3.2	2	12	250	118	300	56	6.5	580	240	144
OHA2005	5	2	14	295	132	355	63	7.8	678	250	160