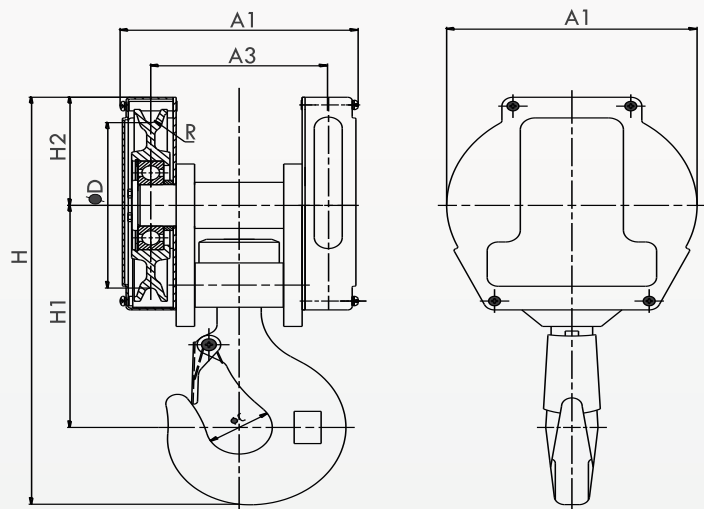
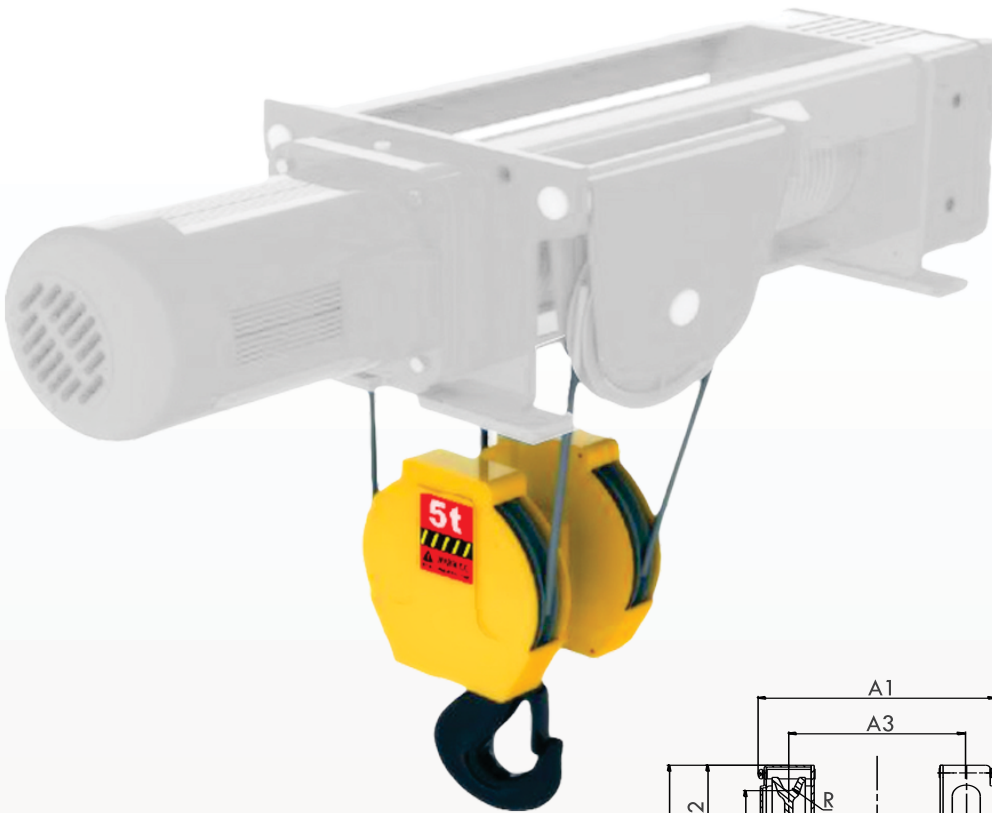


## 4 FALLS HOOK ASSEMBLIES



Model	SWL (ton)	Falls	Wire Rope Dia	Pulley Dia	Dimensions (mm)						
					A1	A2	A3	C	H	H1	H2
OHA4003	3.2	4	10	210	187	156	63	4.3	451	253	108
OHA4005	5	4	12	252	238	190	71	6	526	288	135
OHA4010	10	4	14	323	340	240	90	8.2	689	376	183
OHA4016	16	4	16	337	382	254	100	10	756	413	197
OHA4020	20	4	18	337	382	254	112	11	784	424	197